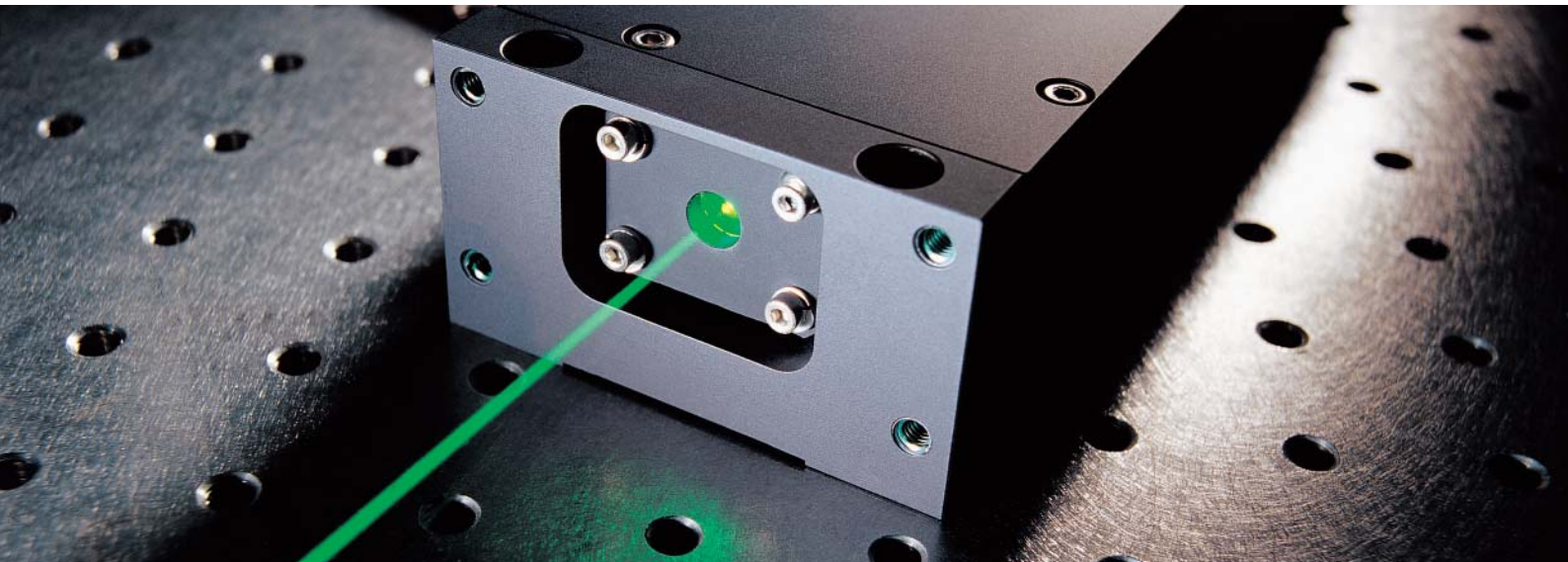




JenLas[®] D2

Diode-Pumped Thin-Disk Laser - frequency-doubled



Features:

- OEM design for easy integration
- High beam quality
- Small dimensions

Technology:

- Thin-disk laser
- Diode pumping
- Frequency doubling
- cw operation
- Peltier cooling (TEC), system contains no water

Applications:

- Display engineering
- Pumping of solid-state lasers
- Light exposure of plastic materials
- Medical engineering
- Show applications
- Substitution of Argon lasers

JenLas[®] D2

Diode-Pumped Thin-Disk Laser - frequency-doubled

Specifications

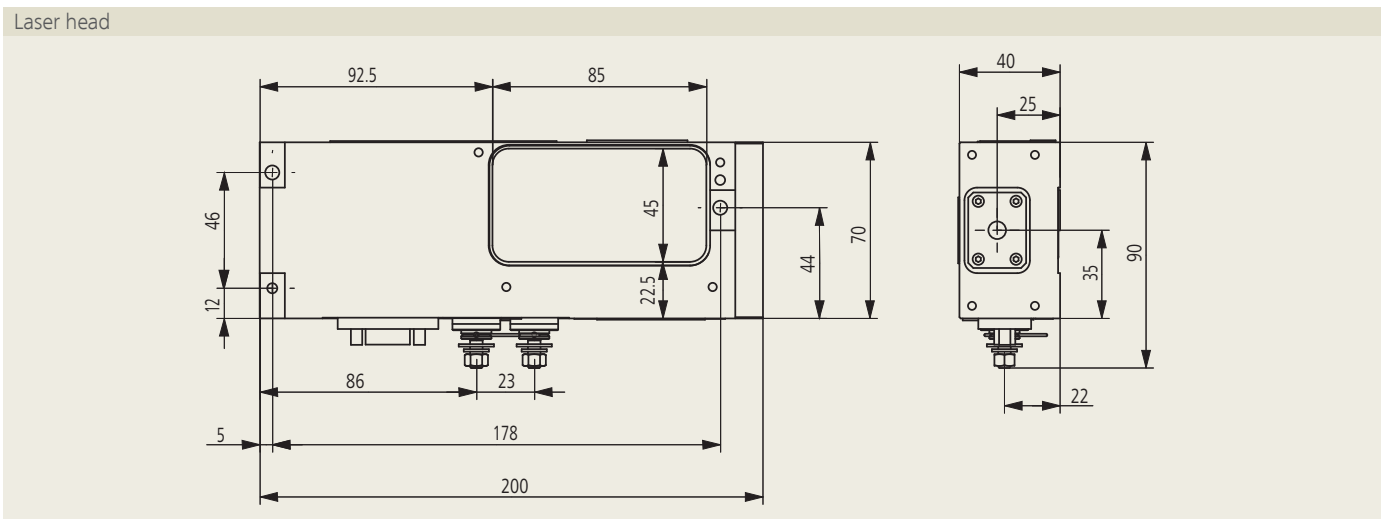
Parameters	
Laser	Thin-disk laser, diode-pumped
Laser class	4 (according to EN 60825-1)
Wavelength	532 nm
Ambient temperature	5 °C ... 40 °C

cw operation	
Output power	3 / 5 W
M ² (typical)	~ 5 (coupling into fiber with 50 µm core possible)
Pulse duration, switchable via diode laser current	~ 1 ms to cw (amplitude modulation up to 20 kHz possible)
Beam diameter	< 2 mm

Electrical specifications	
Electrical input data	2 V, typically 23 A (at diode laser)
Input power	≤ 60 VA

Mechanical specifications	
Dimensions (W x H x L)	70 mm x 40 mm x 200 mm
Weight	1.8 kg

For the operation of the laser, a suitable power supply must be used that complies with the regulations relevant to the respective application. Please contact us for further technical details.



It is our policy to constantly improve the design and specifications. Accordingly, the details represented herein cannot be regarded as final and binding.



JENOPTIK | Lasers & Material Processing

JENOPTIK Laser GmbH

Goeschwitzer Strasse 29 | 07745 Jena | Germany

Phone: +49 3641 65-3053 | Fax: +49 3641 65-4011

E-mail: sales-laser.lm@jenoptik.com | www.jenoptik.com/solidstatelasers

